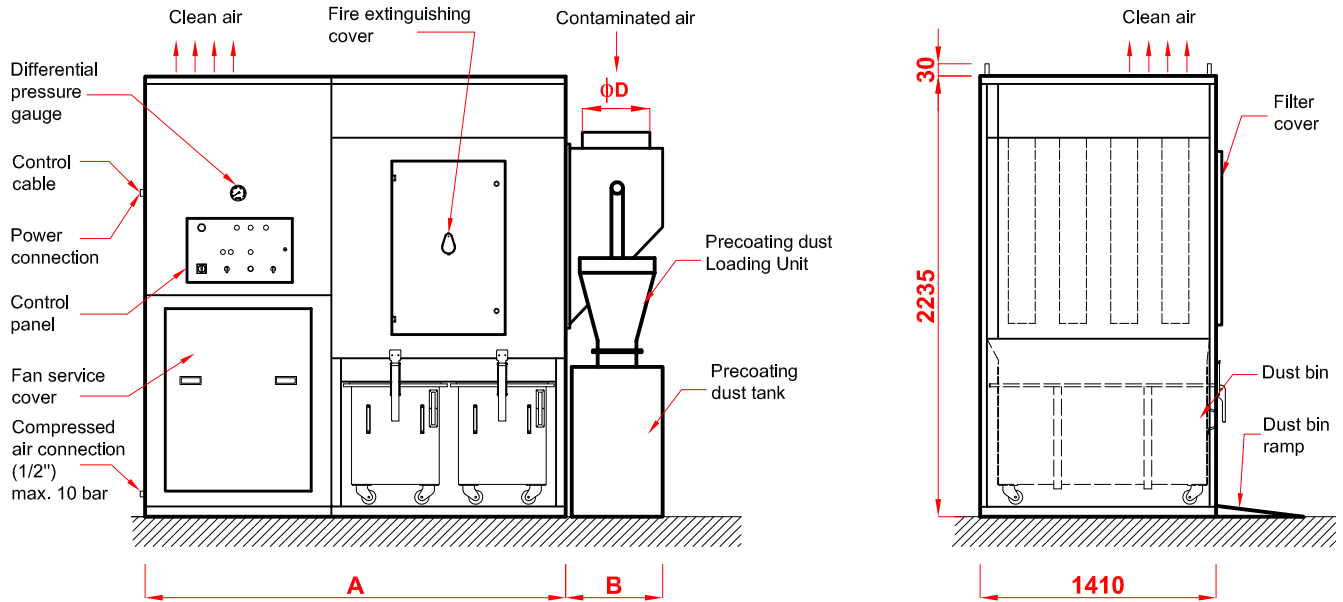


### TECHNICAL SPECIFICATIONS



### STANDARD SPECIFICATIONS

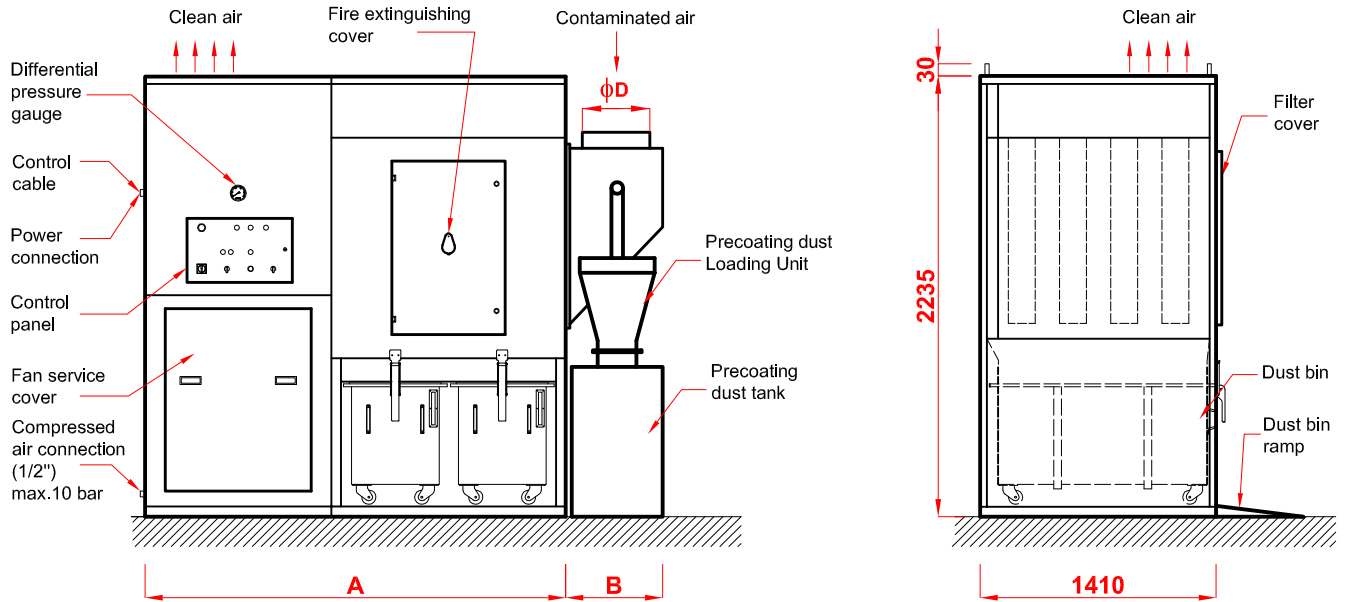
- K-Series filter units are designed specially to work with welding fumes and emissions.
- K-Series filter units are ready to operate with their filters, fan and motor, integrated electrical control panel, automatic cleaning system and automatic precoating unit.
- Power Connection 380/400V ~ 3P N PE - 50 Hz.
- High efficient ventilators that have backcurved blades are directly coupled to motors. The impellers up to 18,5kW motor size are made of aluminium. The impellers that have motor sizes bigger than 22,0kW are made of steel.
- Cartridge filters made of polyester non-woven are standard on K-Series filter units. They arrest 0.2 - 2 micron particles with %99.9 efficiency. Dust Class M acc. to EN 60335-2-69. Cartridge filters have a temperature resistance up to 80 °C.
- The filter unit is equipped with automatic jet-pulse cleaning. Cleaning pressure is 4-5 bar. Control panel, the differential pressure gauge that start-and-stop jet pulse cleaning automatically and automatic precoating dosage unit are standard on K-Series filter units. Dust level indicator of filter elements and pressured-air regulator are also replaced inside the filter unit.
- Automatic precoating dosage unit improves lifetime of filter elements and filtration quality. VANTERM - VANGUARD precoating dust is used in K-Series filter units.
- Static and dynamic balanced impellers with silencers ensure low sound level. Sound level varies between 70-74 dB (A) according to filter unit type.
- Standard models of K-Series filter units are produced to use inside (for indoor applications).

### OPTIONS

- Frequency inverter for power saving.
- 220- 480V ~ 3P N PE - 60Hz Motor and Electrical Control Panel.
- Standard air inlet is placed at right handside. On request reverse side air inlet is possible.
- Flanged fitting for clean air-outlet to exhaust the clean air outside.
- Outdoor Application
  - Electrical control panel temperature control with automatic heating.
  - Additional water resistant cover for control panel.
  - Pre-painting preparation against corrosion with galvanize coating for steel parts.
  - UV and weather conditions resistant electrostatic polyester powder painting.

⊗ Ongoing product development may subject the technical specifications to alterations without notice.

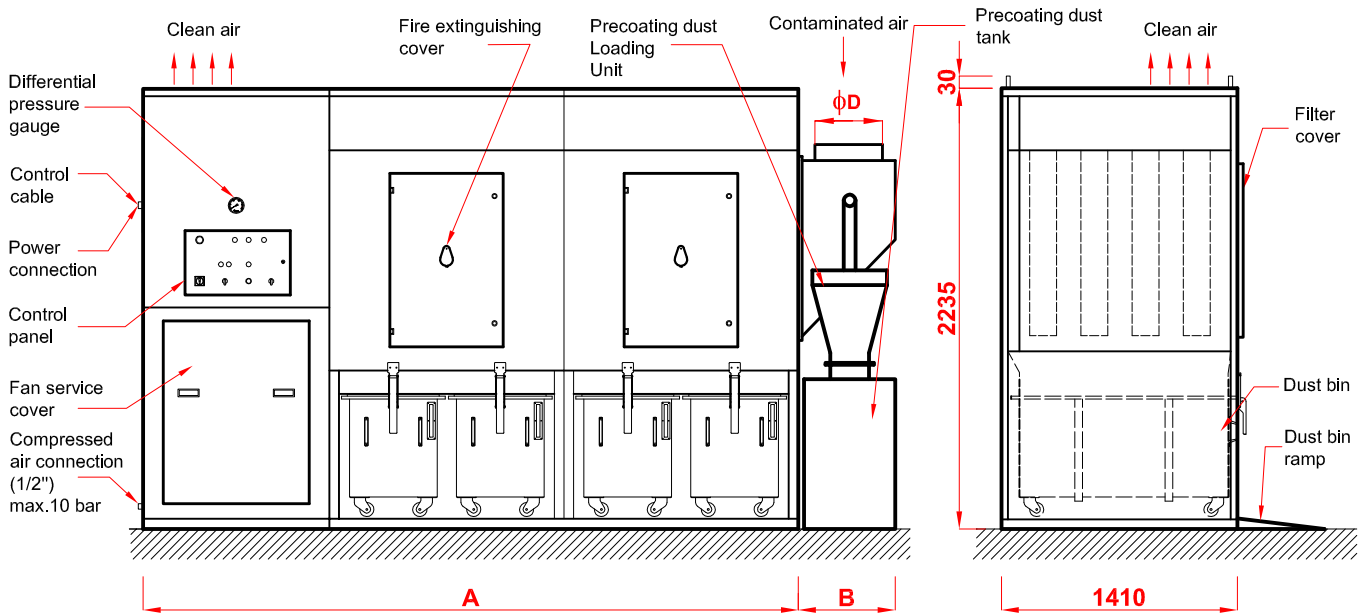
### TECHNICAL SPECIFICATIONS



TYPE	CAPACITY (m <sup>3</sup> /hour)	FAN PRESSURE (Pa)	MOTOR (kW)	FILTER COUNT	FILTER AREA (m <sup>2</sup> )	DUST BIN (liter)	A (mm)	B (mm)	ØD (mm)	WEIGHT (kg.)
K-2500-L	2240 - 2800	2800	3,0	8	56	1x120	1700	430	224	740
K-2500-M	2240 - 2800	3720	4,0	8	56	1x120	1700	430	224	750
K-2500-H	2240 - 2800	5150	5,5	8	56	1x120	1700	430	224	761
K-3800-L	3360 - 4200	2440	4,0	12	84	2x120	2260	430	250	899
K-3800-M	3360 - 4200	3360	5,5	12	84	2x120	2260	430	250	910
K-3800-H	3360 - 4200	4590	7,5	12	84	2x120	2260	430	250	915
K-5000-L	4480 - 5600	2520	5,5	16	112	2x120	2400	430	300	977
K-5000-M	4480 - 5600	3440	7,5	16	112	2x120	2400	430	300	982
K-5000-H	4480 - 5600	5040	11,0	16	112	2x120	2400	430	300	1049
K-6300-L	5600 - 7000	2750	7,5	20	140	3x120	2680	530	350	1086
K-6300-M	5600 - 7000	4030	11,0	20	140	3x120	2680	530	350	1153
K-6300-H	5600 - 7000	5500	15,0	20	140	3x120	2680	530	350	1165

⊗ Ongoing product development may subject the technical specifications to alterations without notice.

### TECHNICAL SPECIFICATIONS



TYPE	CAPACITY (m <sup>3</sup> /hour)	FAN PRESSURE (Pa)	MOTOR (kW)	FILTER COUNT	FILTER AREA (m <sup>2</sup> )	DUST BIN (liter)	A (mm)	B (mm)	ØD (mm)	WEIGHT (kg.)
K-7500-L	6720 - 8400	2290	7,5	24	168	4x120	3360	530	400	1205
K-7500-M	6720 - 8400	3360	11,0	24	168	4x120	3360	530	400	1272
K-7500-H	6720 - 8400	4590	15,0	24	168	4x120	3360	530	400	1284
K-10000-L	8960 - 11200	2520	11,0	32	224	4x120	3640	630	450	1386
K-10000-M	8960 - 11200	3440	15,0	32	224	4x120	3640	630	450	1398
K-10000-H	8960 - 11200	4240	18,5	32	224	4x120	3640	630	450	1413
K-12000-L	11200 - 14000	2750	15,0	40	280	6x120	4200	630	450	1517
K-12000-M	11200 - 14000	3390	18,5	40	280	6x120	4200	630	450	1532
K-12000-H	11200 - 14000	4030	22,0	40	280	6x120	4200	630	450	1564
K-15000-L	13440 - 16800	2860	18,5	48	336	6x120	4760	630	500	1651
K-15000-M	13440 - 16800	3420	22,0	48	336	6x120	4760	630	500	1683
K-15000-H	13440 - 16800	4450	30,0	48	336	6x120	4760	630	500	1751

⊗ Ongoing product development may subject the technical specifications to alterations without notice.