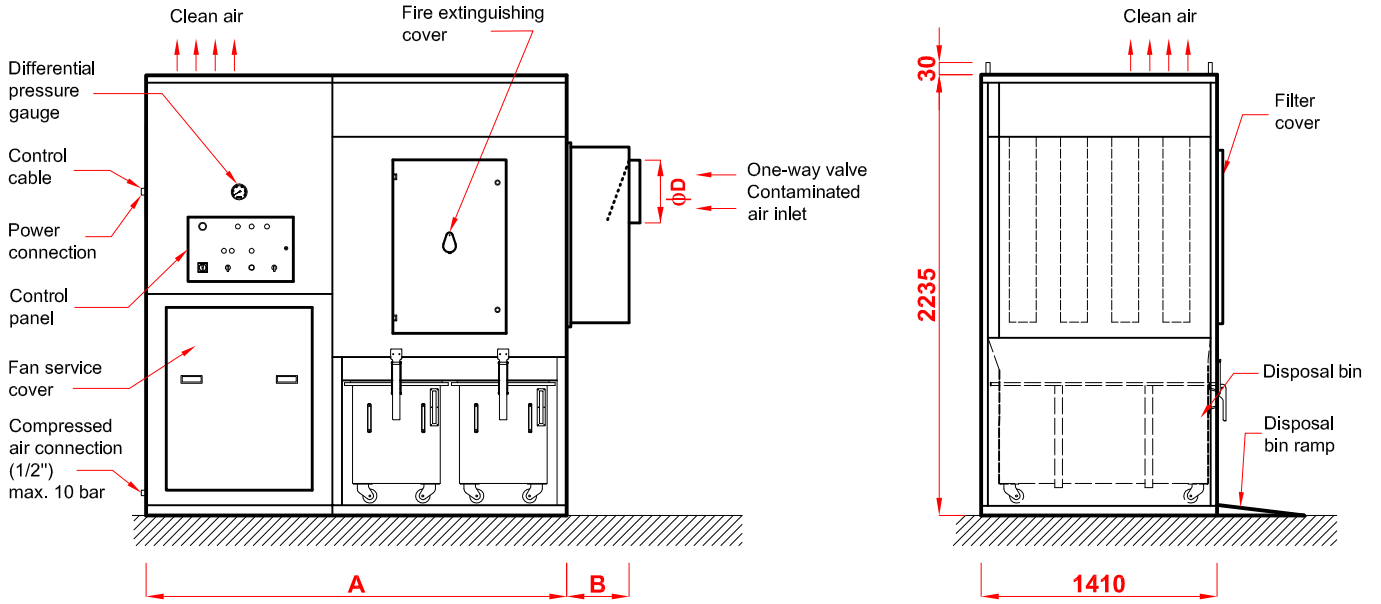


TECHNICAL SPECIFICATIONS



STANDARD SPECIFICATIONS

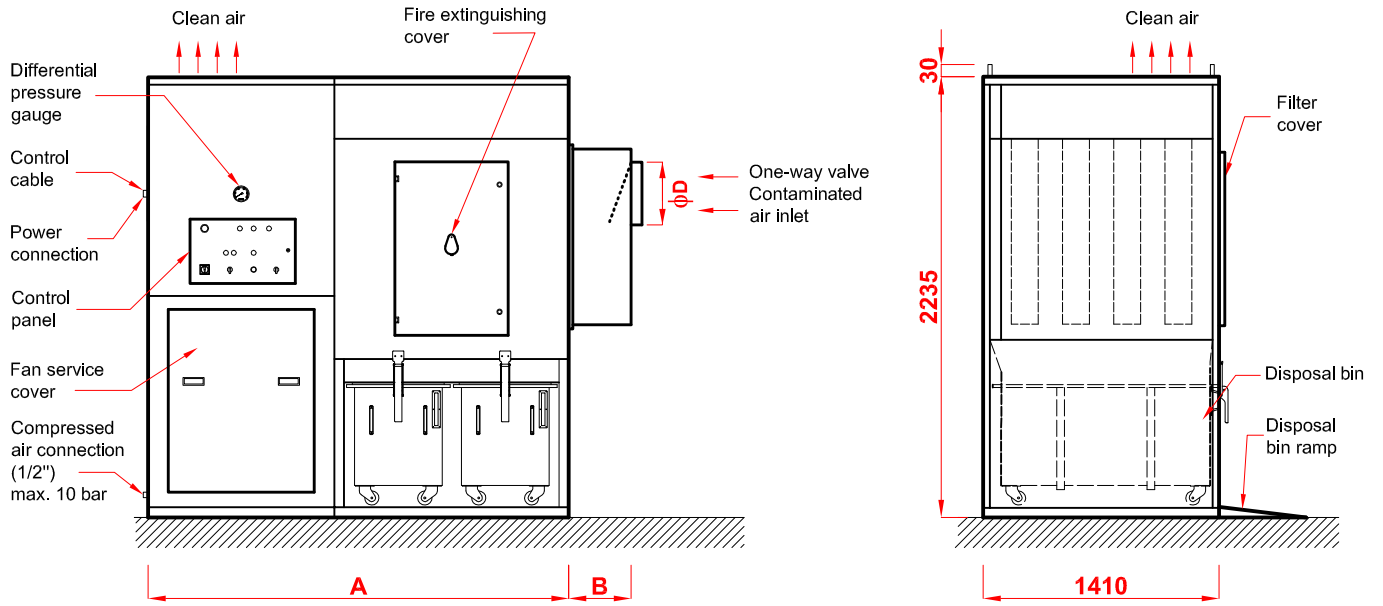
- ACW-Series filter units are designed specifically for woodworking dust collection applications with one-way valve contaminated air inlet.
- ACW-Series filter units are ready to operate with their filters, fan and motor, integrated electrical control panel and automatic cleaning system.
- One-way valve contaminated air inlet protects woodworking process and tubing system from low pressure explosions generated from wood dust.
- Power Connection 380/400V ~ 3P N PE - 50 Hz.
- High efficient ventilators that have backcurved blades are directly coupled to motors. The impellers up to 18,5kW motor size are made of aluminium. The impellers that have motor sizes bigger than 22,0kW are made of steel.
- Cartridge filters made of polyester non-woven are standard on ACW-Series filter units. They arrest 0.2 - 2 micron particles with %99.9 efficiency. Dust Class M acc. to EN 60335-2-69. Cartridge filters have a temperature resistance up to 80 °C.
- The filter unit is equipped with automatic jet-pulse cleaning. Cleaning pressure is 4-5 bar. Control panel and the differential pressure gauge that start-and-stop jet pulse cleaning automatically are standard on ACW-Series filter units. Dust level indicator of filter elements and pressured-air regulator are also replaced inside the filter unit.
- Static and dynamic balanced impellers with silencers ensure low sound level. Sound level varies between 70-76 dB (A) according to filter unit type.
- Standard models of ACW-Series filter units are produced to use inside (for indoor applications).

OPTIONS

- Frequency inverter for power saving.
- 220- 480V ~ 3P N PE - 60Hz Motor and Electrical Control Panel.
- Standard air inlet is placed at right handside. On request reverse side air inlet is possible.
- Automatic fire detection and extinguishing system
- Flanged fitting for clean air-outlet to exhaust the clean air outside.
- Outdoor Application
 - Electrical control panel temperature control with automatic heating.
 - Additional water resistant cover for control panel.
 - Pre-painting preparation against corrosion with galvanize coating for steel parts.
 - UV and weather conditions resistant electrostatic polyester powder painting.

Ⓢ Ongoing product development may subject the technical specifications to alterations without notice.

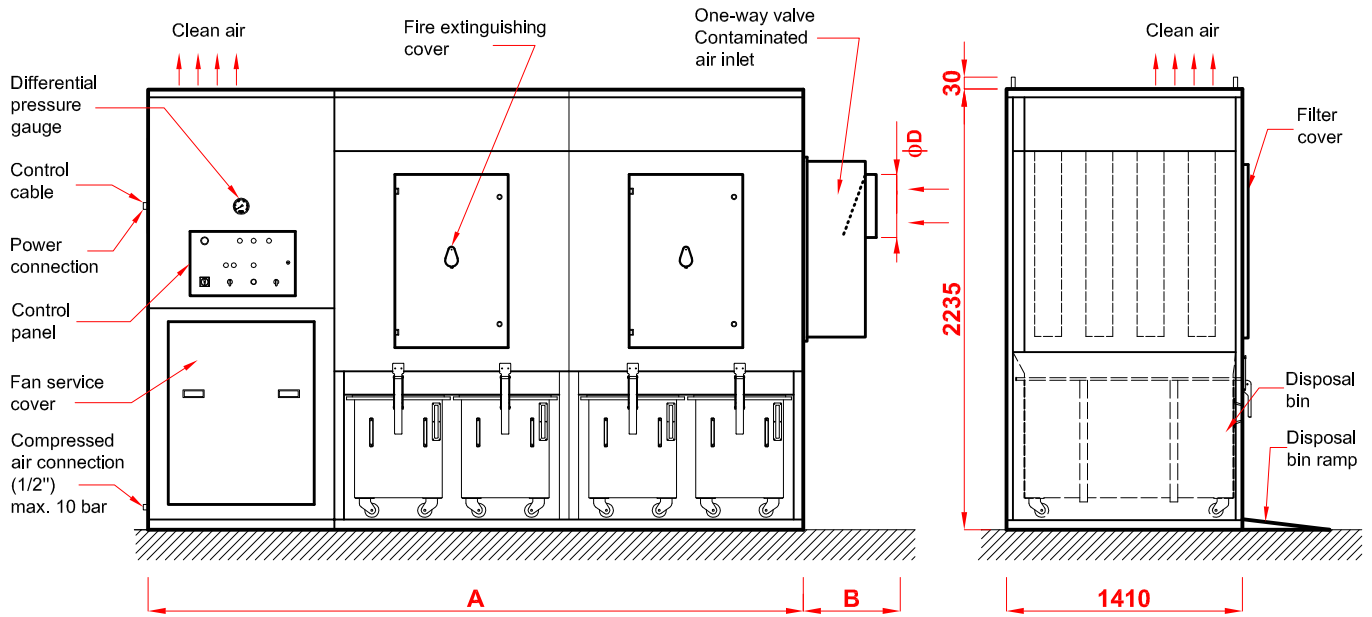
TECHNICAL SPECIFICATIONS



TYPE	CAPACITY (m ³ /hour)	FAN PRESSURE (Pa)	MOTOR (kW)	FILTER COUNT	FILTER AREA (m ²)	DUST BIN (liter)	A (mm)	B (mm)	ØD (mm)	WEIGHT (kg.)
ACW-123	5040 - 8400	2700	7,5	12	84	2x120	2120	430	355	945
ACW-124	5040 - 8400	4000	11,0	12	84	2x120	2120	430	355	1013
ACW-125	5040 - 8400	5400	15,0	12	84	2x120	2120	430	355	1025
ACW-163	6720 - 11200	3000	11,0	16	112	2x120	2400	470	400	1090
ACW-164	6720 - 11200	4100	15,0	16	112	2x120	2400	470	400	1101
ACW-165	6720 - 11200	5050	18,5	16	112	2x120	2400	470	400	1121
ACW-202	8400 - 14000	2500	11,0	20	140	3x120	2680	530	450	1223
ACW-203	8400 - 14000	3400	15,0	20	140	3x120	2680	530	450	1235
ACW-204	8400 - 14000	4200	18,5	20	140	3x120	2680	530	450	1250
ACW-205	8400 - 14000	5000	22,0	20	140	3x120	2680	530	450	1202

⊗ Ongoing product development may subject the technical specifications to alterations without notice.

TECHNICAL SPECIFICATIONS



TYPE	CAPACITY (m ³ /hour)	FAN PRESSURE (Pa)	MOTOR (kW)	FILTER COUNT	FILTER AREA (m ²)	DUST BIN (liter)	A (mm)	B (mm)	ØD (mm)	WEIGHT (kg.)
ACW-242	10080 - 16800	2750	15,0	24	168	4x120	3080	580	500	1284
ACW-243	10080 - 16800	3400	18,5	24	168	4x120	3080	580	500	1299
ACW-244	10080 - 16800	4000	22,0	24	168	4x120	3080	580	500	1330
ACW-322	13440 - 22400	2500	18,5	32	224	4x120	3640	640	560	1413
ACW-323	13440 - 22400	3000	22,0	32	224	4x120	3640	640	560	1445
ACW-324	13440 - 22400	4120	30,0	32	224	4x120	3640	640	560	1513
ACW-402	16800 - 28000	2420	22,0	40	280	6x120	4200	680	600	1564
ACW-403	16800 - 28000	3300	30,0	40	280	6x120	4200	680	600	1632
ACW-404	16800 - 28000	4060	37,0	40	280	6x120	4200	680	600	1664

⊕ Ongoing product development may subject the technical specifications to alterations without notice.